

# NERVA<sup>®</sup>XX

Multi-purpose robot  
for reconnaissance  
and support to operations

# KNDS



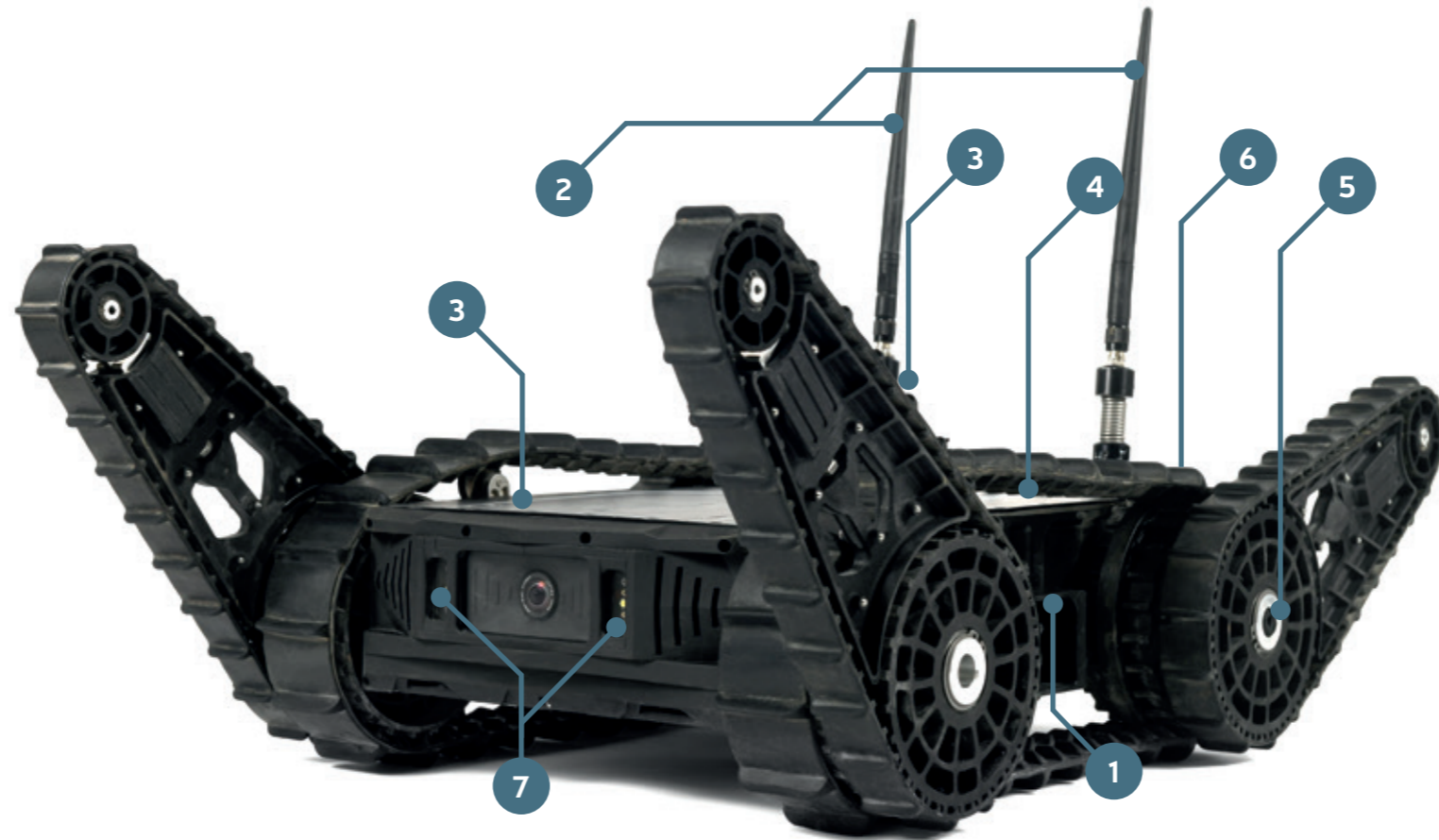
**NERVA® XX**  
multi-purpose medium size robot for reconnaissance  
and support to operations



**Mission module  
Manipulator arm**



- Removable arm (hot swap)
- 4 electrical axis + 1 O/C gripper
- Automatically vertical and horizontal reach position: up to 91 cm
- Gripper aperture: 0 to 120 mm
- 1 safe shooting circuit
- Anti-collision safety
- 3 camera with lighting
- Gripper/turret/disrupter camera
- 2 PICATINY rails for payload



**Description & features**

**1 1-Click battery:**

Changing the battery can be done easily in 1-click, no tool required.

**2 Long range COFDM & mesh capability:**

More than 1000 m in Line Of Sight (LOS), more than 500 m in dense forests, more than several 100 m in urban areas.

**3 1-Click modules:**

Mechanical and electrical interfaces to operate a large panel of additional standards or dedicated payloads. No tool required, compatible with NERVA® LG.

**4 Semi-autonomous:**

Semi-autonomous capabilities: waypoints navigation.

**5 1-Click tracks:**

You can easily add the front and/or rear flippers according to your needs, no tool required.

**6 Rear camera:**

Rear & Front Camera : HD 1280x720 pixels area, H-FOV: 126.6° and V-FOV: 70°, virtual Pan&Tilt with no moving part, day light and IR sensitivity.

**7 White & IR lights:**

Integrated high power-days and IR lights.

**NERVA® LG  
kit content**

- 1x NERVA® XX Robot
- 1x Handheld controller
- 2x Robot batteries
- 1x Robot charger
- 1x Controller battery
- 1x Controller charger
- 1x Antenna kit
- 1x User Manual
- 1x Rugged case



**Operational performances**

- Endurance: between 2h30 to 4h (depends on the mission)
- Stand-by endurance: 15h (surveillance area without movement)
- Speed: up to 5 km/h
- Weight (with arm & small OCU): < 20 kg
- Obstacle clearance: 20 cm
- Slope: 45°
- Temperature range: -20 °C to + 55 °C
- Digital radio range: up to 500 m
- Lifting capability: up to 4.5 kg
- Towing capability: 20 kg

**Chassis**

- Rugged
- Waterproof: IP65
- Weight: 12.2 Kg with two batteries
- 2 motorized flippers
- Payload capacity: 15 kg
- Inclinometers & GPS
- Size (cm, with track kit long): 47 (L) x 42 (W) x 18 (H without antenna)
- Microphone & loudspeaker (5 m range)
- Up to 3-mission-module capability, fully compatible with NERVA® LGs payloads
- Front camera:
  - Color/IR & light white + IR
  - H-FOV: 110° and V-FOV: 60°
- Rear camera:
  - Color/IR & light white + IR
  - H-FOV: 100° and V-FOV: 75°
- 2 battery slots (Hot swap)
- Up to 3 PICATINY rails

# / NERVA® XX modularity for multi mission requirement

Whether you need Observation & Detection, Localization & Mapping, Action & Intervention capabilities, NERVA® XX can help you complete your mission with the highest flexibility. Swap your NERVA® payload in five seconds, the NERVA® XX will automatically detect it and operate it properly. It remains fully compatible with NERVA® LG (control stations and payloads).



Thermal imaging



3D-mapping



PTZ camera



Disruptor mount



Dropping charge



Chemical mount



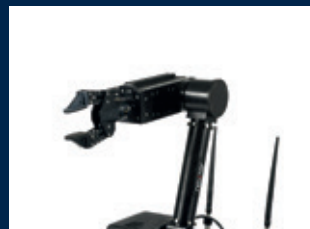
2D-mapping



Vehicle inspection



Gunshot detection



Manipulator arm



Generic support



Two-way intercom



External battery



Non lethal weapon



We adapt your equipment

# KNDS

## KNDS France Robotics

13 route de la Minière  
78034 Versailles Cedex France  
Tél. +33 (0)1 39 49 33 22  
[www.knds.com](http://www.knds.com)

Unless otherwise indicated, all products are registered trademarks of KNDS France.

Property of KNDS. All rights reserved.  
K2V-008-EN-06/2024